

Ambis Parking

Product Features

- High efficiency up to 136 lm/W
- Uniform & comfortable wide beam light distribution, for the high power model
- Operating in ambient conditions from -30°C to +40°C
- Electrical installation with through-wiring for linking luminaires (up to 32 per circuit)
- Easy-click fixation technique and mounting clips for convenient installation
- IP66 and IK10 protection
- CE, ENEC & RoHs compliant
- Reliable quality, manufacture capability, and global logistics by Delta Group 49-year establishment

Applications



Parking



Cold Storage



Warehouse



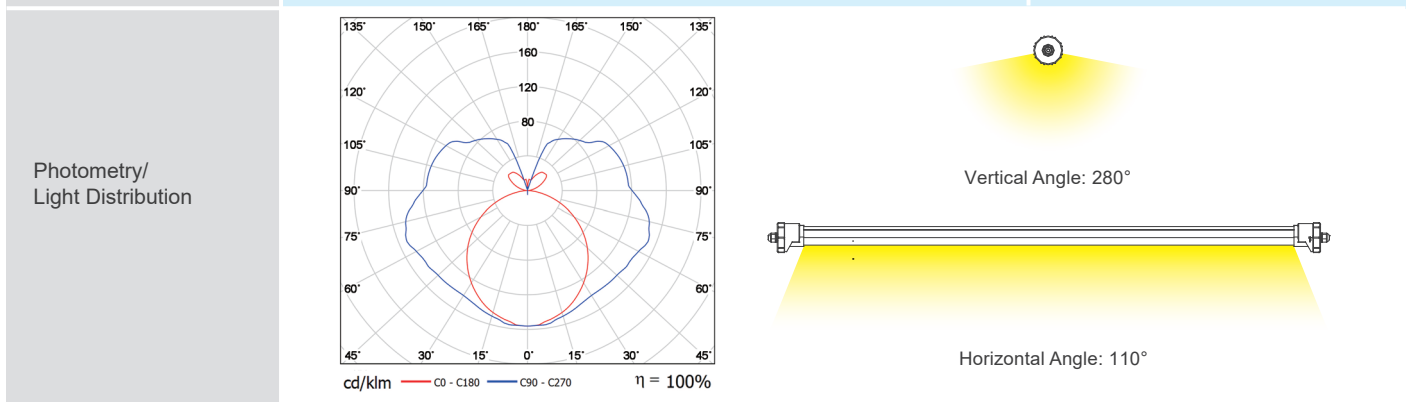
Work Area

www.delta-emea.com



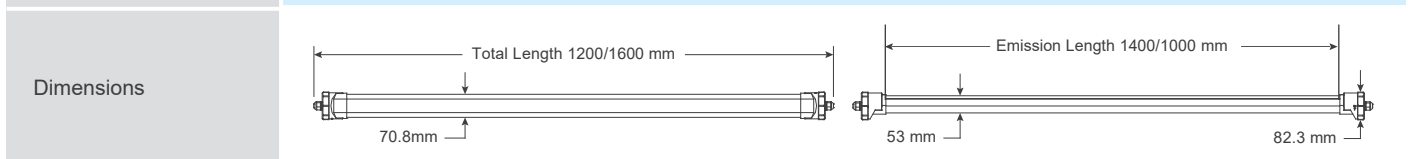
Smarter. Greener. Together.

	PG422IL01N	PG438IL01N	PG538IL01N
Length (mm)	1200		1600
Lumen Output (lm)	3000	5100	
Input Voltage (V)	AC 220-240 V		
Power (W)	22	38	
Efficacy (lm/W)	136	134	
CRI (Ra)	> 80		
CCT (K)	4000 ± 250K (within 4 McAdam.), 3000K / 5000K / 5700K available		
Operating Temp (°C)	-30°C to 40°C		
Max. units per circuit (10A ABB MCB s200 series)	64	32	
Electrical safety class	Class II		
Protection	IP66 / IK10		
Compliance	IEC 61000-3-2 ClassC Harmonic (1-40) / THD (Total Harmonic <20%) / CE / RoHS		
Tests	Glow wire test at 850°C / 4kV high-pot voltage insulation		
Installation	2 x 1.5 mm ² through-wiring		
Driver	Fix		
Lifetime	>100,000 hrs L80/B10 at Ta 25°C; >50,000 hrs L90/B10 at Ta 25°C		
Warranty	5 Years		
Weight (kg)	1.0		1.3



Accessories

- Sealing plug 1 pc per luminaire (for sealing the cable gland and the end luminaire in installation circuit)
- Mounting clips 2 pcs per luminaire
- Optional: Anti-vandalism SS316L mounting clips (set of 2 pcs)



Specifications are subject to change without notice.

2020/04/15

Delta Electronics Europe

Zandsteen 15
 2132 MZ Hoofddorp, The Netherlands
 TEL: +31-20-655-0900
 FAX: +31-20-655-0999

For more product information and sales inquiries, please contact: sleu@deltaww.com

www.delta-emea.com/ledlighting